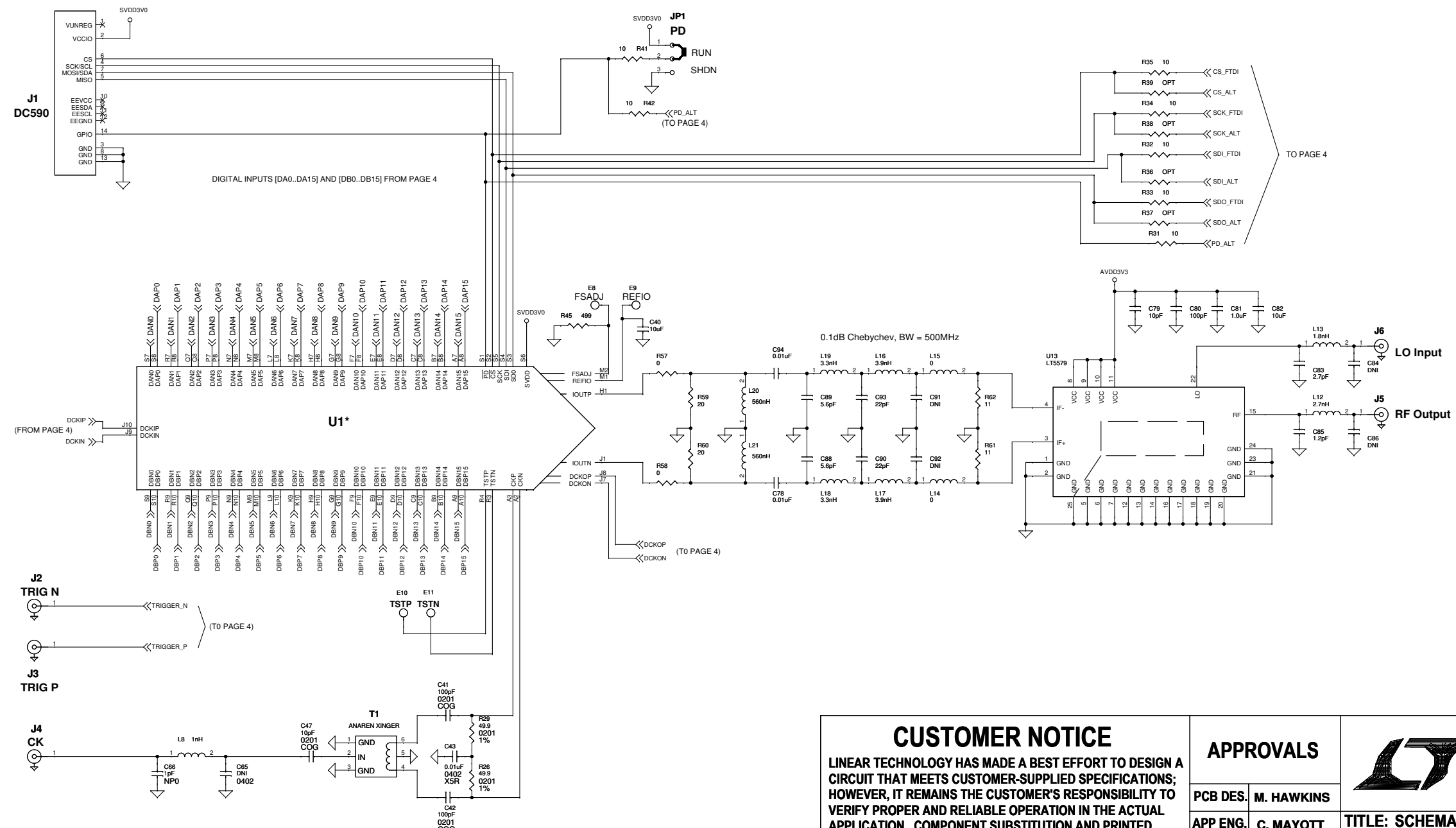


REVISION HISTORY				
ECO	REV	DESCRIPTION	APPROVED	DATE
-	3	PRODUCTION	C. MAYOTT	



NOTES:  
 1. ALL RESISTORS ARE SIZE 0402, U.O.N.  
 2. REFER TO PAGE 4 FOR LTC2000 POWER CONNECTIONS.

\* ASSEMBLY TABLE

ASSY	U1
-A	LTC2000IY-16
-B	LTC2000IY-14
-C	LTC2000IY-11

**CUSTOMER NOTICE**  
 LINEAR TECHNOLOGY HAS MADE A BEST EFFORT TO DESIGN A CIRCUIT THAT MEETS CUSTOMER-SUPPLIED SPECIFICATIONS; HOWEVER, IT REMAINS THE CUSTOMER'S RESPONSIBILITY TO VERIFY PROPER AND RELIABLE OPERATION IN THE ACTUAL APPLICATION. COMPONENT SUBSTITUTION AND PRINTED CIRCUIT BOARD LAYOUT MAY SIGNIFICANTLY AFFECT CIRCUIT PERFORMANCE OR RELIABILITY. CONTACT LINEAR TECHNOLOGY APPLICATIONS ENGINEERING FOR ASSISTANCE.

THIS CIRCUIT IS PROPRIETARY TO LINEAR TECHNOLOGY AND SUPPLIED FOR USE WITH LINEAR TECHNOLOGY PARTS.

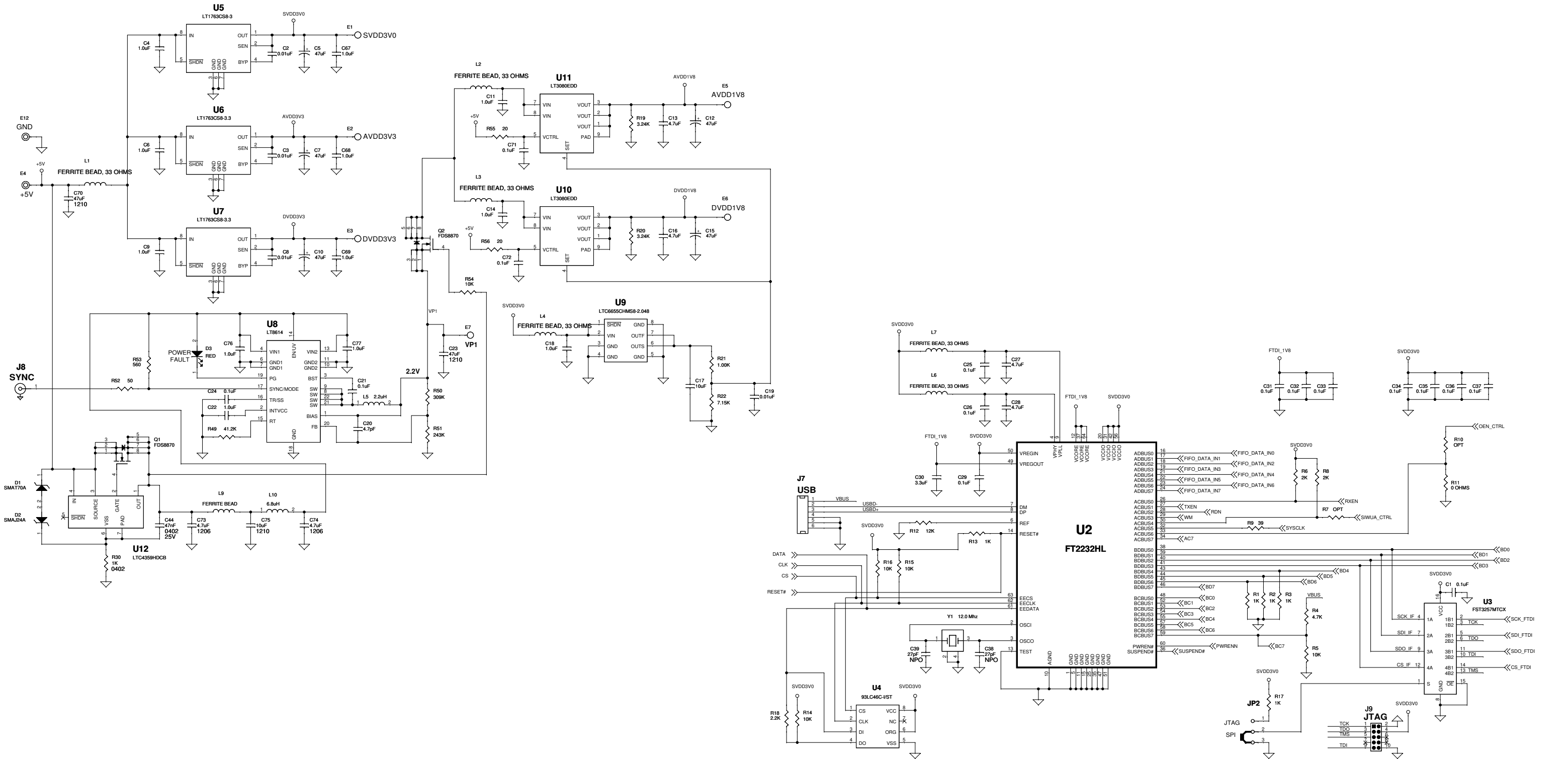
APPROVALS	
PCB DES.	M. HAWKINS
APP ENG.	C. MAYOTT
SCALE = NONE	

**LINEAR TECHNOLOGY**

1630 McCarthy Blvd.  
 Milpitas, CA 95035  
 Phone: (408)432-1900 www.linear.com  
 Fax: (408)434-0507  
 LTC Confidential-For Customer Use Only

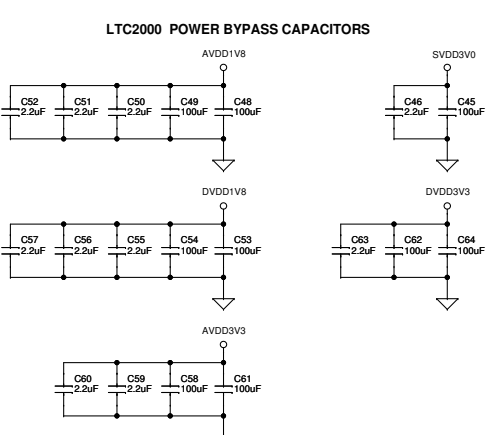
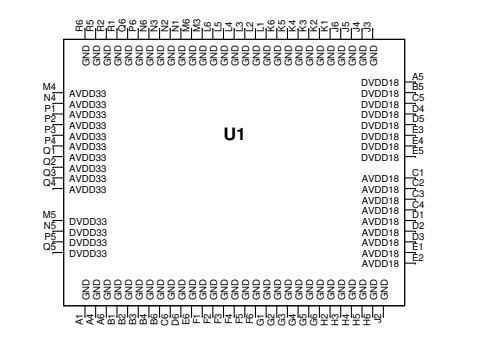
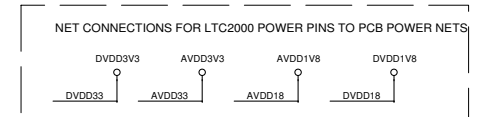
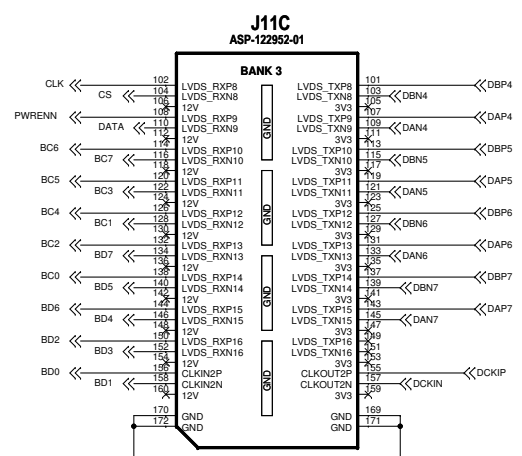
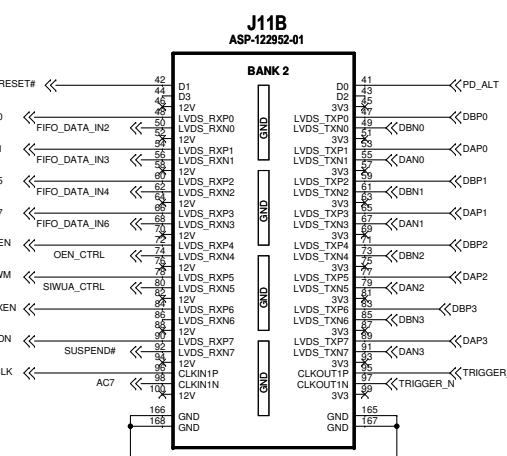
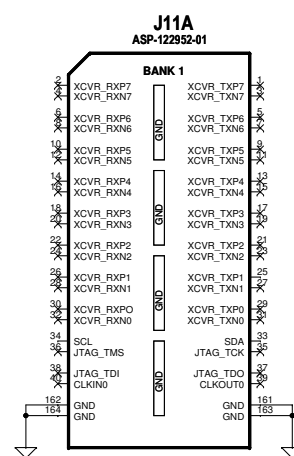
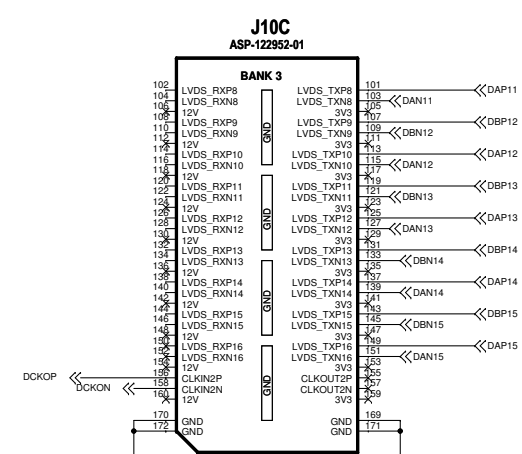
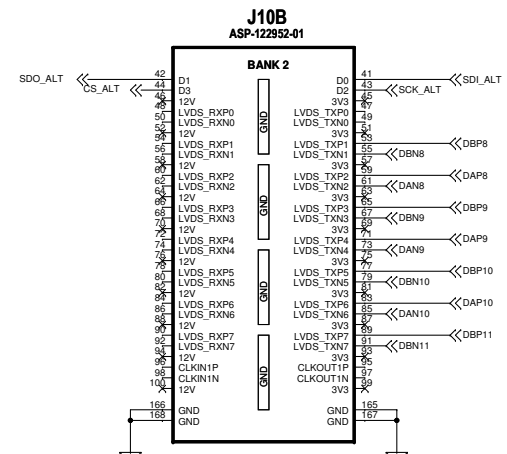
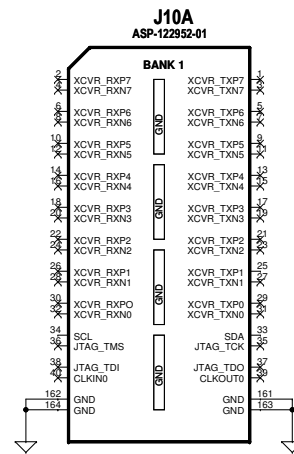
**TITLE: SCHEMATIC**  
**LTC2000 HIGH SPEED DAC + LTC5579 MIXER**

SIZE	IC NO. LTC2000-X FAMILY	REV.
N/A	DEMO CIRCUIT 2191A	2
DATE:	SHEET 1 OF 3	



<p><b>CUSTOMER NOTICE</b></p> <p>LINEAR TECHNOLOGY HAS MADE A BEST EFFORT TO DESIGN A CIRCUIT THAT MEETS CUSTOMER-SUPPLIED SPECIFICATIONS; HOWEVER, IT REMAINS THE CUSTOMER'S RESPONSIBILITY TO VERIFY PROPER AND RELIABLE OPERATION IN THE ACTUAL APPLICATION. COMPONENT SUBSTITUTION AND PRINTED CIRCUIT BOARD LAYOUT MAY SIGNIFICANTLY AFFECT CIRCUIT PERFORMANCE OR RELIABILITY. CONTACT LINEAR TECHNOLOGY APPLICATIONS ENGINEERING FOR ASSISTANCE.</p>		<p><b>APPROVALS</b></p>		<p><b>LINEAR TECHNOLOGY</b></p> <p>1630 McCarthy Blvd. Milpitas, CA 95035 Phone: (408)432-1900 www.linear.com Fax: (408)434-0507 LTC Confidential-For Customer Use Only</p>	
		PCB DES.	M. HAWKINS		
<p>THIS CIRCUIT IS PROPRIETARY TO LINEAR TECHNOLOGY AND SUPPLIED FOR USE WITH LINEAR TECHNOLOGY PARTS.</p>		<p>SCALE = NONE</p>		<p>TITLE: SCHEMATIC</p> <p>LTC2000 HIGH SPEED DAC + LTC5579 MIXER</p>	
		<p>DATE:</p>		<p>SIZE N/A</p> <p>IC NO. LTC2000-X FAMILY</p> <p>DEMO CIRCUIT 2191A</p>	<p>REV. 2</p>
				<p>SHEET 2 OF 3</p>	

HSMC CONNECTORS - MEZZANINE SIDE



<p><b>CUSTOMER NOTICE</b></p> <p>LINEAR TECHNOLOGY HAS MADE A BEST EFFORT TO DESIGN A CIRCUIT THAT MEETS CUSTOMER-SUPPLIED SPECIFICATIONS; HOWEVER, IT REMAINS THE CUSTOMER'S RESPONSIBILITY TO VERIFY PROPER AND RELIABLE OPERATION IN THE ACTUAL APPLICATION. COMPONENT SUBSTITUTION AND PRINTED CIRCUIT BOARD LAYOUT MAY SIGNIFICANTLY AFFECT CIRCUIT PERFORMANCE OR RELIABILITY. CONTACT LINEAR TECHNOLOGY APPLICATIONS ENGINEERING FOR ASSISTANCE.</p>		<p><b>APPROVALS</b></p> <table border="1"> <tr> <td>PCB DES.</td> <td>M. HAWKINS</td> </tr> <tr> <td>APP ENG.</td> <td>C. MAYOTT</td> </tr> <tr> <td colspan="2">SCALE = NONE</td> </tr> </table>		PCB DES.	M. HAWKINS	APP ENG.	C. MAYOTT	SCALE = NONE		<p><b>LINEAR TECHNOLOGY</b></p> <p>1630 McCarthy Blvd. Milpitas, CA 95035 Phone: (408)432-1900 www.linear.com Fax: (408)434-0507 LTC Confidential-For Customer Use Only</p>	
PCB DES.	M. HAWKINS										
APP ENG.	C. MAYOTT										
SCALE = NONE											
<p>THIS CIRCUIT IS PROPRIETARY TO LINEAR TECHNOLOGY AND SUPPLIED FOR USE WITH LINEAR TECHNOLOGY PARTS.</p>		<p><b>TITLE: SCHEMATIC</b></p> <p>LTC2000 HIGH SPEED DAC + LTC5579 MIXER</p>		<p>SIZE: N/A</p> <p>IC NO. LTC2000-X FAMILY</p> <p>REV. 2</p>							
		<p>DATE:</p>		<p>SHEET 3 OF 3</p>							